

# 1 3/4" W X 6 1/2" D X 9" H AVILA BRACKET

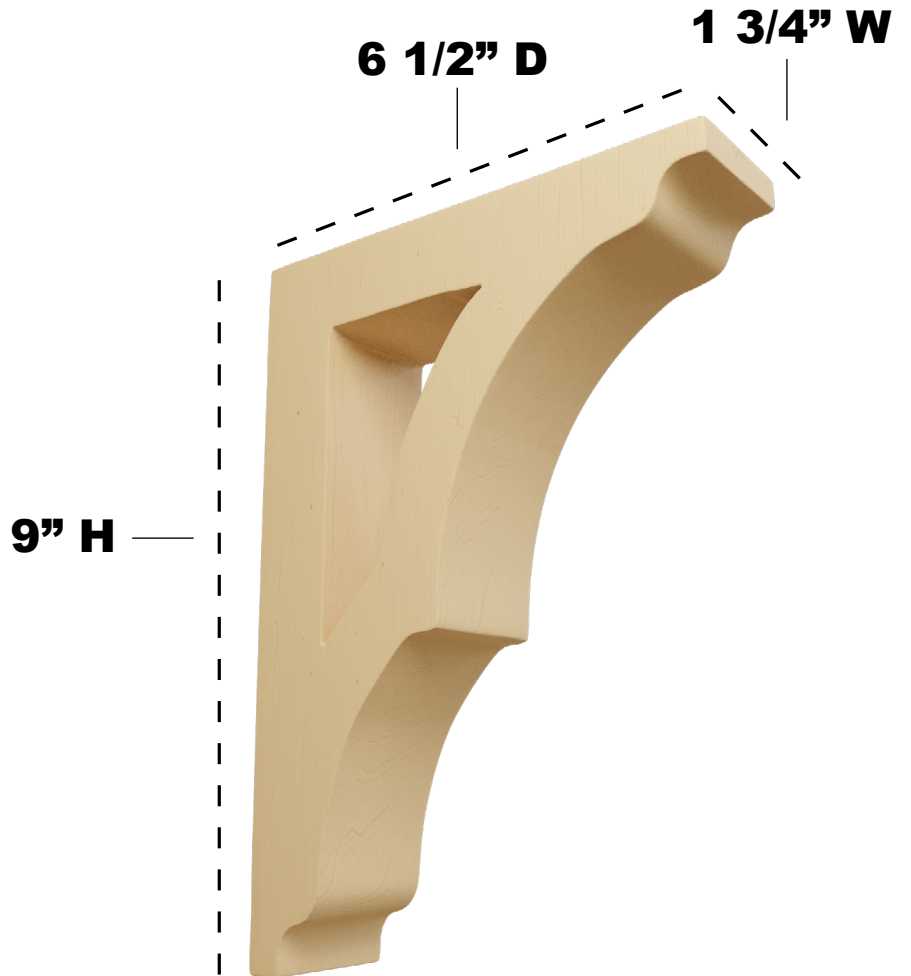
ITEM NO.: BKTW01X06X09AV



FRONT VIEW



PROFILE VIEW



**AVAILABLE  
WOOD  
SPECIES:**



ALDER



CHERRY



MAPLE



RED OAK



MAHOGANY



WALNUT



RUBBERWOOD



**EKENA**  
MILLWORK

P: 866.607.0453 | F: 866.591.3143

2300 W. Main St. | Clarksville, TX 75426

sales@ekenamillwork.com | www.ekenamillwork.com